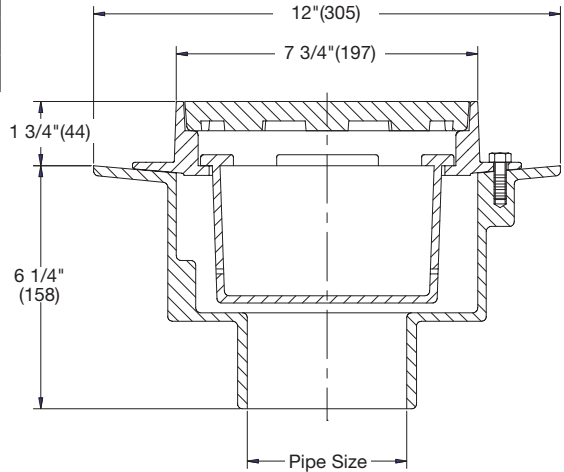


Specialty Floor Drains

FD-810 Iowa Garage Drain

Model Number	Weight (lbs.)	Str. Size	Pipe Size	Strainer	List Price
FD-812, 3, 4, 5, 6, 8	14	8"	2, 3, 4, 5, 6, 8"	ductile iron	\$1,214.50
FD-812, 3, 4, 5, 6, 8-1	15	8"	2, 3, 4, 5, 6, 8"	nickel bronze	1,756.00

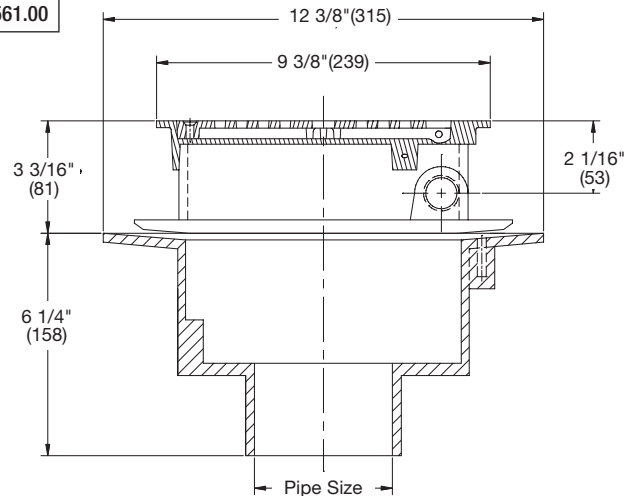


Options for FD-810 Series

Suffix	Description	List Price
None	No Hub	No Add
P	Push-On Outlet (2,3,4,6" only)	No Add.
T	Threaded Outlet (2,3,4,6" only)	\$80.00
X	Inside Caulk Outlet (2,3,4,6" only)X	No Add
-6	Vandal Proof	147.00
-7	Trap Primer Tapping	150.00
-60	PVC Body w/Socket Outlet (2,3,4,6" only)	No Add
-61	ABS Body w/Socket Outlet (2,3,4" only)	No Add

FD-820 Flushing Rim Floor Drain

Model Number	Weight (lbs.)	Str. Size	Pipe Size	Strainer	List Price
FD-822, 3, 4	30	9 1/2"	2, 3, 4"	nickel bronze	\$2,561.00



Note: Funnels are ordered separately. See page 63 for details.

Options for FD-820 Series

Suffix	Description	List Price
None	No Hub	No Add
P	Push-On Outlet (2,3,4,6" only)	No Add.
T	Threaded Outlet (2,3,4,6" only)	\$80.00
X	Inside Caulk Outlet (2,3,4,6" only)	No Add
-5	Sediment Bucket	256.00
-6	Vandal Proof	147.00